

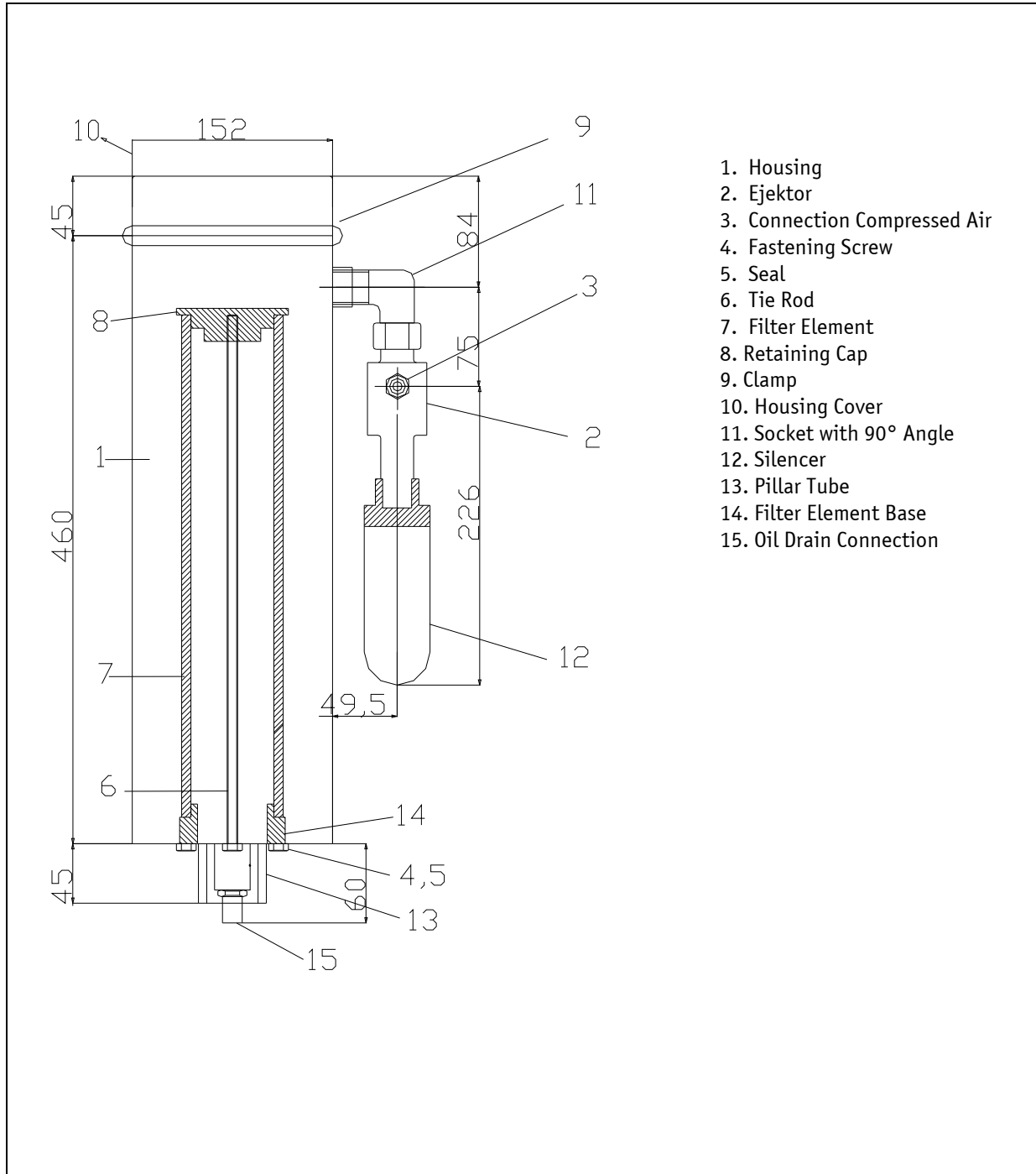
## Data Sheet

04/04

# Oil Mist Separator Type 13/138

<b>Housing</b>	Mild steel, fully galvanised, outside painted Internal parts aluminium, no brass or copper		
<b>Main dimensions</b>	Diameter	152 mm	
	Filter housing length	500 mm	
	Pillar tube	45 mm	
	Total height	550 mm	
	Inlet flange	R1" IG	
	Exhaust	22 mm tube with Silencer	
<b>Weight</b>	6 kg		
<b>Filter elements</b>	Glass fibre fleece with inorganic binder		
	Quantity	1 off	
	Dimension	length	380 mm
		diameter	63 mm i. d.
		wall thickness	6 mm
	Filtration degree	0,1 $\mu$	
<b>Flow rate</b>	8 Nm <sup>3</sup> /h at 60 mbar $\Delta p$		
<b>Ejector</b>	Max. Inlet pressure	3 bar	
	Max. Negative pressure	100 mbar	
	Compressed Air Connection	1/4" Tube	
	Max. Air consumption	250 NL/min	
<b>Scope of supply</b>	The <b>CONTEC</b> -oil mist separator units are supplied fully assembled and ready for installation including one set of filter elements, Silencer, Filter/Pressure reducer and 5m of transparent oil return hose.		

## General Arrangement Oil Mist Separator Type 13/138



1. Housing
2. Ejektor
3. Connection Compressed Air
4. Fastening Screw
5. Seal
6. Tie Rod
7. Filter Element
8. Retaining Cap
9. Clamp
10. Housing Cover
11. Socket with 90° Angle
12. Silencer
13. Pillar Tube
14. Filter Element Base
15. Oil Drain Connection