

G/LL7 hydrostatic contents gauge

The **Model G/LL7** hydrostatic gauging system is designed for large tanks or tanks where easy access is difficult.

The **G/LL7** comprises a transmitter resting on the bottom of the tank, which is connected by capillary tube to a remotely mounted 6" gauge.

A sealed pneumatic system allows for continuous reading.

The gauge is calibrated and scaled to the tank (rectangular or round) and a single transmitter can operate up to three gauges.

A retaining cord is supplied should the transmitter need to be removed from the tank. The capillary tube passes through the tank wall via a supplied bulkhead adaptor.

Specification

Transmitter:

Construction:

Body: 316 stainless steel
 Diaphragm: Viton
 Fasteners: A4 stainless steel
 Retaining cord: Polypropylene Size:
 Capillary tube: Polyurethane

Fluid Types:

Fluids compatible with the above construction materials

Environmental Ratings

Max. pressure: 1.0 Bar

Options:

Capillary tube: Copper, stainless steel, nylon or PTFE



Gauge:

Construction:

Casing: Stainless steel
 Window: Glass
 Connector: Brass
 6" diameter

Calibration:

To individual tank installations

Environmental Ratings

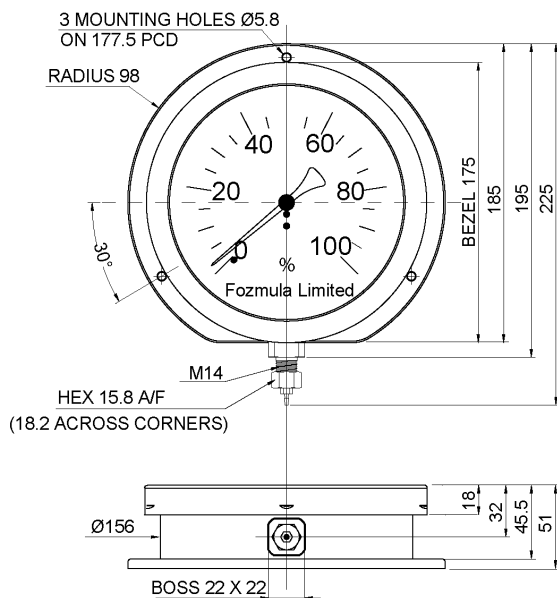
Sealing: IP54

Options:

Size: 4" or 10" diameter

GAUGE

STANDARD 6" GAUGE SHOWN. 4" OR 10" VERSION AVAILABLE ON REQUEST. ALTERNATE SCALES CAN ORDERED SPECIFIC TO REQUIREMENTS.



TRANSMITTER

